

T00000001248

Ernesto J. Sosa
Requester's Name

7752 N.W. 74 Avenue
Address

Miami FL 33166
City/State/Zip Phone #

Office Use Only

CORPORATION NAME(S) & DOCUMENT NUMBER(S), (if known):

1. _____
(Corporation Name) (Document #)
2. _____
(Corporation Name) (Document #)
3. _____
(Corporation Name) (Document #)
4. _____
(Corporation Name) (Document #)

SECRETARY OF STATE
TALLAHASSEE, FLORIDA

NOV 22 AM 10:48

FILED

- Walk in Pick up time Certified Copy
 Mail out Will wait Photocopy Certificate of Status

NEW FILINGS

- Profit
 Not for Profit
 Limited Liability
 Domestication
 Other

OTHER FILINGS

- Annual Report
 Fictitious Name
 Acknowledgement DCC
 W.P. Verifier DCC

AMENDMENTS

- Amendment
 Resignation of R.A., Officer/Director
 Change of Registered Agent
 Dissolution/Withdrawal
 Merger

REGISTRATION/QUALIFICATION

- Foreign
 Limited Partnership
 Reinstatement
 Trademark
 Other

000003403410--8
-09/26/00--01009--002
*****87.50 *****87.50

W000000024230

T00000001248

789.740.671

Examiner's Initials

6 pages (Specimen is front & back)





FLORIDA DEPARTMENT OF STATE
Katherine Harris
Secretary of State

November 8, 2000

ERNESTO J. SOSA
7752 N.W. 74 AVENUE
MIAMI, FL 33166

SUBJECT: SOLUCIONES PLASTICAS
Ref. Number: W00000024230

We have received your document for SOLUCIONES PLASTICAS and your check(s) totaling \$87.50. However, the enclosed document has not been filed and is being returned for the following correction(s):

Your mark contains word(s)/design(s) that must have a disclaimer. All geographical terms, such as cities, states, countries, and designs of same, must be disclaimed. Some commonly used words and corporate suffixes must also be disclaimed. You must disclaim the following term(s) by completing the disclaimer statement found in #2 of Part III of the application: PLASTICAS (PLASTICS)

Please return your document, along with a copy of this letter, within 60 days or your filing will be considered abandoned.

If you have any questions concerning the filing of your document, please call (850) 487-6913.

Diane Cushing
Corporate Specialist

Letter Number: 400A00052850

APPLICATION FOR THE REGISTRATION OF A TRADEMARK OR SERVICE MARK
PURSUANT TO CHAPTER 495, FLORIDA STATUTES

TO: Division of Corporations
Post Office Box 6327
Tallahassee, FL 32314

Name & address to whom acknowledgment should be sent:

Ernesto J. Sosa
7752 N.W. 74 Avenue
Miami, FL 33166
(305) 887-6920
Daytime Telephone number

PART I

1. (a) Applicant's name: Plastec U.S.A., Inc.
- (b) Applicant's business address: 7752 N.W. 74 Avenue
Miami, FL 33166 City/State/Zip
- (c) Applicant's telephone number: (305) 887-6920
- Individual Corporation Joint Venture Other:
 General Partnership Limited Partnership Union
- If other than an individual,
(1) Florida registration number: H79375 (2) Domicile State: Florida
- (3) Federal Employer Identification Number: 59-2611567

FILED
00 NOV 22 AM 10:48
SECRETARY OF STATE
TALLAHASSEE, FLORIDA

2. (a) If the mark to be registered is a service mark, the services in connection with which the mark is used:
(i.e., furniture moving services, diaper services, house painting services, etc.)

N/A

- (b) If the mark to be registered is a trademark, the goods in connection with which the mark is used:
(i.e., ladies sportswear, cat food, barbecue grills, shoe laces, etc.)

A catalog for selling accessories and parts in the plastics industry

- (c) The mode or manner in which the mark is used: (i.e., labels, decals, newspaper advertisements, brochures, etc.)

Labels, decals, brochures, binders, flyers, newspaper and internet advertisements

(Continued)

d) The class(es) in which goods or services fall:

Accessories for the plastics industry

16

PART II

1. Date first used by the applicant, predecessor, or a related company (must include month, day and year):

(a) Date first used anywhere: July 1, 2000 (b) Date first used in Florida: July 1, 2000

PART III

1. The mark to be registered is: (If logo/design is included, please give brief written description which must be 25 words or less.)

Soluciones Plasticas

English Translation Plastics Solutions

2. DISCLAIMER (if applicable)

NO CLAIM IS MADE TO THE EXCLUSIVE RIGHT TO USE THE TERM " PLASTICAS (PLASTICS) " APART FROM THE MARK AS SHOWN.

I, Plastec U.S.A., Inc., being sworn, depose and say that I am the owner and the applicant herein, or that I am authorized to sign on behalf of the owner and applicant herein, and no other person except a related company has the right to use such mark in Florida either in the identical form or in such near resemblance as to be likely to deceive or confuse or to be mistaken therefor. I make this affidavit and verification on my/the applicant's behalf. I further acknowledge that I have read the application and know the contents thereof and that the facts stated herein are true and correct

Plastec U.S.A., Inc.

Typed or printed name of applicant

[Handwritten signature]

Ernesto J. Sosa, Vice President

Applicant's signature or authorized person's signature (List name and title)

STATE OF Florida

COUNTY OF Dade

On this 22 day of September, 2000, Ernesto J. Sosa personally appeared before me,

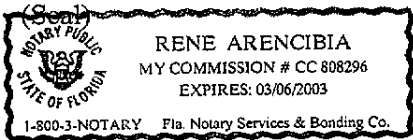
[X] who is personally known to me [] whose identity I proved on the basis of

[Handwritten signature]

Notary Public Signature

Rene Arencibia

Notary's Printed Name



My Commission Expires:

FEE: \$87.50 per class

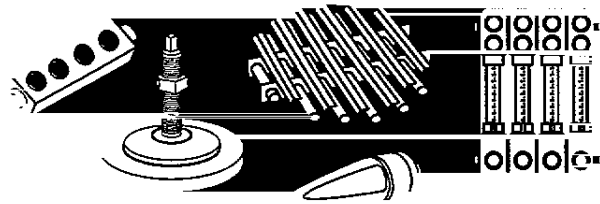


FILED
00 NOV 27 10:48
SECRETARY OF STATE
TALLAHASSEE, FLORIDA

OLUCIONES PASTICAS™

**¡PRONTO
EN MEXICO!
CON UN AMPLIO
INVENTARIO**

**Su Catalogo De Accesorios
Para La Industria Del Plastico**



SOLUCIONES PLÁSTICAS™

Su Catálogo De Accesorios Para La Industria Del Plástico

Accesorios

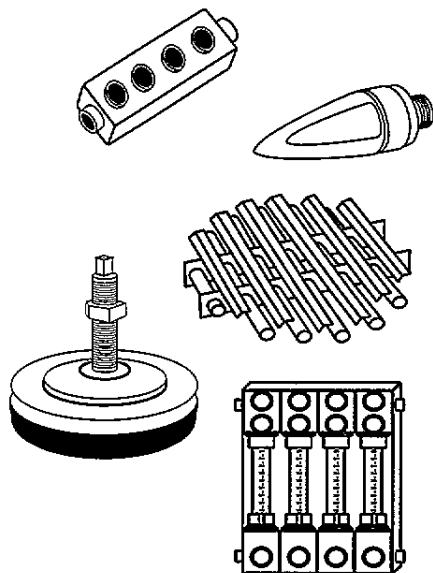
Bandas de Calefacción
Patas Niveladoras
Imanes
Mordazas
Reguladores de Flujo (Rotametros)
Desmoldantes
Agente de Purga
Filtros de Aceite
Herramientas
Controladores de Temperatura de Agua
Cargadores de Materia Prima

Componentes para el Barril

Boquillas

Control de Colada Caliente

Bandas Transportadoras



Soluciones Plásticas
7752 N.W. 74 Avenue
Miami, Florida 33166 USA
Tel: 305-887-5564
Fax: 305-889-0332
E-mail: solucionesplasticas@plastecusa.com
www.solucionesplasticas.com

Soluciones Plásticas
Avenida Minas No. 501 local 8
Colonia Lomas de Becerra, CP 01279
Del. Alvaro Obregon, México D.F.
Tel: (525) 598-3499
Fax: (525) 598-3814
E-mail: plasmex@inetcorp.net.mx